



TONLY

Add : NO.2339, Fengchan Road, Fengdong New District, Xi'an City, Shaanxi Prov, China
Sales Tel : +86-29-38001214 Service Tel : +86-29-33687710, 4006-863-853
Website : <https://www.tonlyoverseas.com>

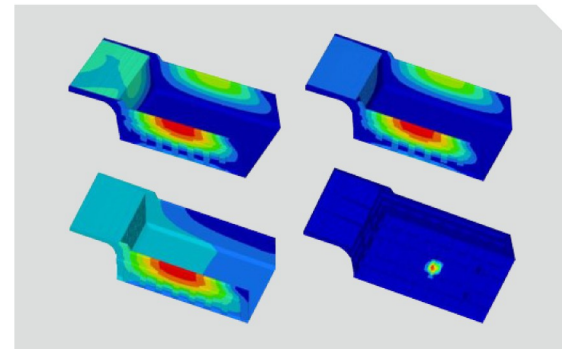
Local contact

TL875B

off-road dump truck



Components Introduction



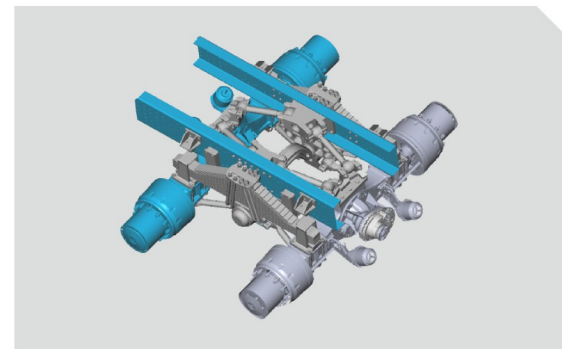
1 Cargo body

Reinforced structure with strong impact resistance.



2 Tire

Special mining tire for mine only with longitudinal and transverse groove design, which provide excellent grip performance and comfort of operation strong carrying capacity and long service life.



3 Suspension system

The front suspension multi-level shock absorption element to improve driving comfort. The rear leaf spring clamping mechanism with TONLY patent is reliable and practical.

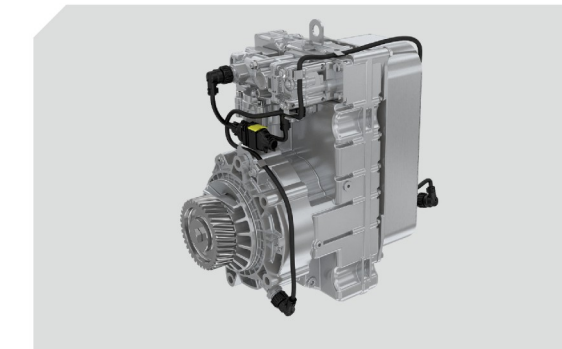


4 Intake system

Three stage combined air filter can improve the efficiency of air filtering, and improve the air clearness.



FOPS/ROPS certificate



5 Hydraulic Retarder

Transmission combined with hydraulic retarder can reduce the speed of the truck when going down a long slope, works long time and high power, reduce the wear out of braking components and extend the tire life time, ensure the operation safety.



6 FOPS/ROPS certificate

Tonly product is the only one obtained the certificate for big payload through severe test.



7 Steering system

Tonly developed full hydraulic steering system (TONLY owns all patent of this technology), reduce the steering oil temperature, steering operation is lighter, greatly improve the life cycle of the system components, and ensure the truck safety.



8 Anti-collision structure

Anti-collision beam + bumper + through beam structure, effectively protects the driver and the truck.



TL875B off-road dump truck

TL875 is efficient transportation equipment for large and medium-sized open-pit mines. TL875 has stable performance, reliable quality, attendance rate of more than 90% , and high comprehensive benefits. TL875 has won "Market Performance Gold Award" in the construction machinery industry.

Main system characteristics

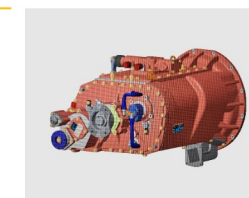
➤ Engine

- New performance optimization version, high efficient fuel saving.
- 12L displacement, strong power and wide power coverage.



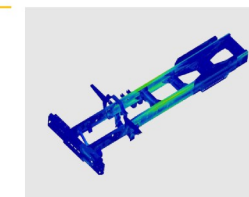
➤ Transmission

- Single box and double intermediate shaft with simple structure, reasonable speed ratio, which is economical and practical.
- Optimize first shaft and eight gears to improve service life.



➤ Main chassis frame

- Flexible bolt and rivet connection frame type with high torsional bearing efficiency and long service life.



➤ Axle

- TONLY and HANDE jointly design the special axle for mine transportation. Strengthened single casting axle housing, double reduction.
- Big torque, high transmission efficiency and high reliability.



➤ Mining special cab

- Special cab for mining truck with large space, wide visible range and comfortable manipulation.
- Compression molding Interior with lower noise and good quality.



➤ Lifting system

- Selected mining special oil cylinder system , which has better stability and greater thrust.
- Optimized design of connecting support, strengthened support and improved lifting safety.



Overall parameters	Model	TL875B
	Brand	Tonly
	Drive mode	6×4
	GVW (t)	90
	Rated payload (t)	60
	Kerb weight (t)	30
	Dimensions (mm)	9196x3666x3759
	Wheelbase (mm)	3775+1550
	Wheel track (mm)	2661/2468
	Minimum ground clearance (mm)	385
	Minimum turning radius (m)	11
	Maximum height of bucket lift (mm)	8574
	Maximum angle of bucket lift (°)	52
	Loading height (mm)	3698
	Braking distance (m)	14
Maximum climbing degree (%)	≥32	
Maximum speed (km/h)	40	
Engine	Model	WP12G430E310
	Manufacturer / Country	Weichai/China
	Power (hp/kw)	430/316
Transmission	Model	7DS180
	Manufacturer / Country	Fast/China
	Input torque (N·m)	1800
Axle	Manufacturer / Country	Hande/China
	Load/T	20+35+35
Tires / Rims	Tire model	14.00-25
	Rim size	10.0/2.0-25

Container	Base plate material/thickness (mm)	NM400/16
	Rear plate material/thickness (mm)	NM400/12
	Front plate material/thickness (mm)	T700/10
	Side plate material/thickness (mm)	T700/10
	Container volume (m³)	30
Hydraulic system	Model	FC179
	Manufacturer / Country	HYVA/China
	Steering device	Dual steering
	Lifting time (s)	25
	Descent time (s)	25
Weight distribution	Empty load	
	Front axle (kg)	10000
	Rear axle (kg)	20000
	Total weight (50% fuel) (kg)	30000
	Loaded	
	Front axle (kg)	20000
	Rear axle (kg)	70000
Total weight (kg)	90000	

