



TONLY

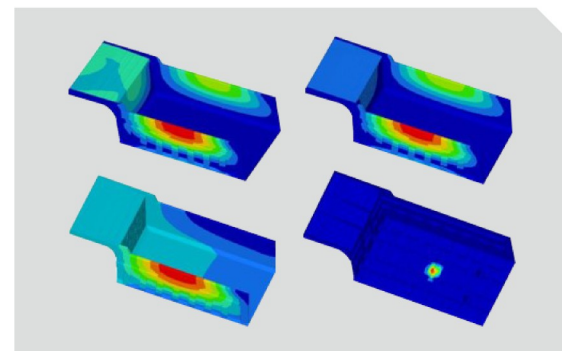
Add : NO.2339, Fengchan Road, Fengdong New District, Xi'an City, Shaanxi Prov, China
Sales Tel : +86-29-38001214 Service Tel : +86-29-33687710, 4006-863-853
Website : <https://www.tonlyoverseas.com>

Local contact

TL891
off-road dump truck

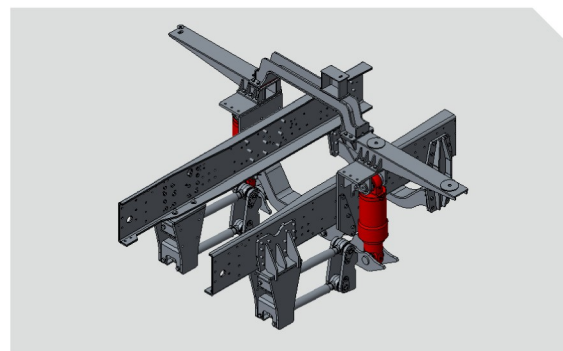


Components Introduction



1 Cargo body

Reinforced structure with strong impact resistance.



2 Suspension system

- The front suspension adopts hydro-pneumatic suspension to balance two working conditions of empty/full loading, with large payload capacity and good driving comfort.
- The rear leaf spring clamping mechanism with TONLY patent is reliable and practical; More Safer and long service life.



3 Tire

Special mining tire for mine only with longitudinal and transverse groove design, which provide excellent grip performance, comfort of operation, strong carrying capacity and long service life.



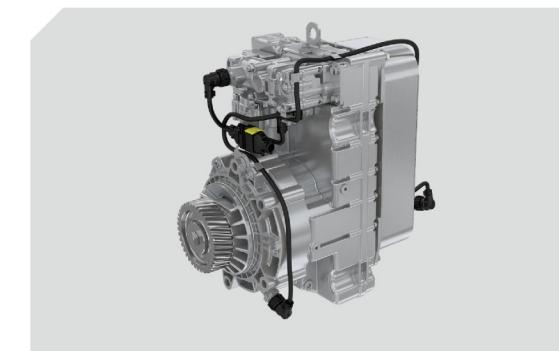
4 Intake system

The double pre-filter structure is adopted to increase the intake air flow, reduce the intake negative pressure, and reduce the fuel consumption of the engine.



5 Steering system

Tonly developed full hydraulic steering system (TONLY owns all patent of this technology), reduce the steering oil temperature, steering operation is lighter, greatly improve the life cycle of the system components, and ensure the truck safety.



6 Hydraulic retarder

Transmission combined with hydraulic retarder can reduce the speed of the truck when going down a long slope, works long time and high power, reduce the wear out of braking components and extend the tire life time, ensure the operation safety.



7 Anti-collision structure

Anti-collision beam + bumper + through beam structure, effectively protects the driver and the truck.



8 FOPS/ROPS certificate

Tonly product is the only one obtained the certificate for big payload through severe test.



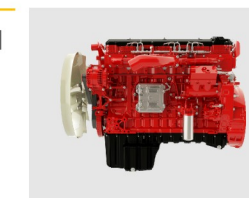
TL891 off-road dump truck

This dump truck is equipped with an electronically controlled engine and an automatic transmission, with more convenient control and higher efficiency; Large tonnage engineering axles as well as engineering-specific tires and a 50m³ large volume container with large load capacity. Adopt the whole machine optimization design scheme of Tonly core technology, with stable performance, reliable quality and attendance rate of above 90%.

Main system characteristics

➤ Engine

- New performance-optimized engine, efficient and fuel-saving.
- 15L/16L large displacement, strong power and wide power coverage.



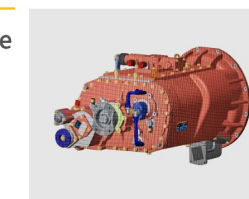
➤ Axle

- TONLY and HANDE jointly design the special axle for mine transportation. Strengthened single casting axle housing and double reduction.
- Big torque, high transmission efficiency and high reliability.



➤ Transmission

- Single box double intermediate shaft series, simple structure, reasonable speed ratio matching, economical and practical.
- Optimize main drive shaft and eight-speed gear to improve service life.



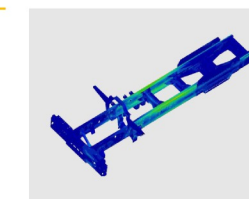
➤ Mining special cab

- The new generation cab with large space, wide visible range and comfortable manipulation.
- Compression molding Interior with lower noise and good quality.



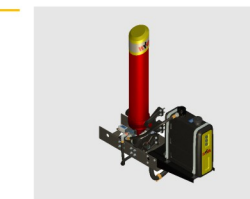
➤ Main Chassis Frame

- Flexible chassis frame in bolt and rivet connection has light weight with shock absorption & high torsional bearing efficiency and long service life.



➤ Lifting system

- Specialized mine version lifting system with reliable and greater thrust.
- Optimization design of connecting bracket to strengthen support and improve lift safety.



Overall parameters	Model	TL891
	Brand	Tonly
	Drive mode	6×4
	GVW (t)	135
	Rated payload (t)	90
	Kerb weight (t)	45
	Dimensions (mm)	10250 X 3966 X 4287
	Wheelbase (mm)	4175+1900
	Wheel track (mm)	3039/2810
	Minimum ground clearance (mm)	410
	Minimum turning radius (m)	12
	Maximum height of bucket lift (mm)	10011
	Maximum angle of bucket lift (°)	48
	Loading height (mm)	4164
	Braking distance (m)	18
Maximum climbing degree (%)	≥30	
Maximum speed (km/h)	45	
Engine	Model	QSM15-770-30
	Manufacturer / Country	DCEC China
	Power (hp/kw)	770/566
Transmission	Model	8DS280
	Manufacturer / Country	Fast/China
Axle	Manufacturer / Country	Hande/China
Tire / Rim	Load/T	30+50+50
	Tire model	480/95R29
	Rim size	13.00/2.5-29

Container	Base plate material/thickness (mm)	NM400/16
	Rear plate material/thickness (mm)	NM400/12
	Front plate material/thickness (mm)	T700/12
	Side plate material/thickness (mm)	T700/10
	Container volume (m ³)	50
Hydraulic system	Model	FEA214
	Manufacturer / Country	HYVA/China
	Steering device	Hydraulic steering
	Container lift time (s)	24
	Container descent time (s)	24
Weight distribution	Empty load	
	Front axle (kg)	15000
	Rear axle (kg)	30000
	Total weight (50% fuel) (kg)	45000
	Loaded	
	Front axle (kg)	30000
	Rear axle (kg)	105000
	Total weight (kg)	135000

